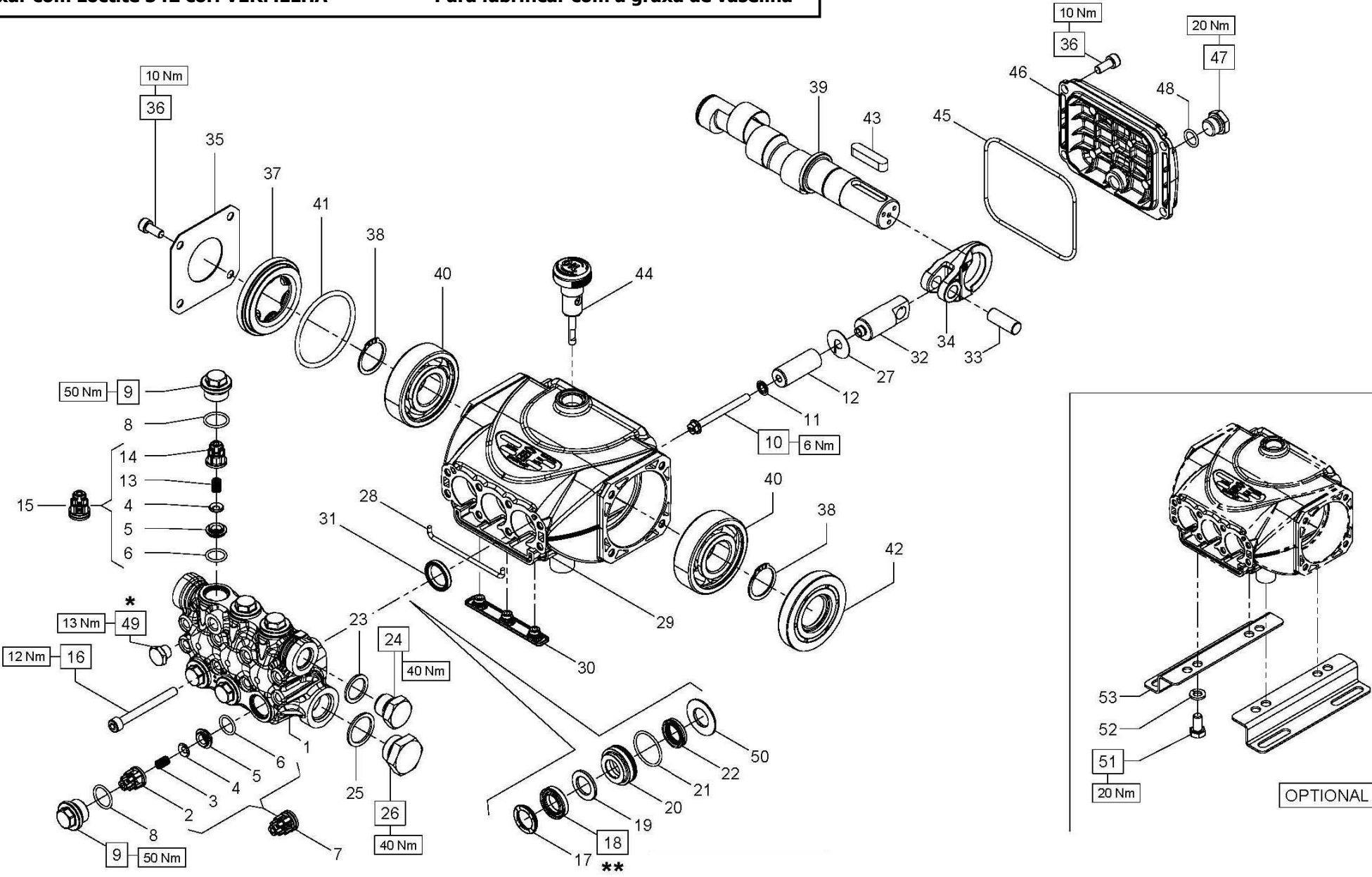


\* Fissare con Loctite 542 col. ROSSO  
 \* Affix with Loctite 542 col. RED  
 \* Fixer avec de la Loctite 542 couleur ROUGE  
 \* Mit Loctite 542 ROT befestigen  
 \* Fijar con Loctite 542 col. ROJO  
 \* Fixar com Loctite 542 cor. VERMELHA

\*\* Lubrificare con grasso di vaselina  
 \*\* To lubricate with vaseline grease  
 \*\* Lubrifier avec gras des vaseline  
 \*\* Sich mit fett zum vaselin schmieren  
 \*\* Para lubricar con la grasa de vaselina  
 \*\* Para lubrificar com a graxa de vaselina





## KIT RICAMBI – SPARE KITS

**E1B1807 - E1B1808 - E1B1809 - E1B1611 - E1B1612**  
**E1B1613 - E1B1614 - E1B1810 - E1C1808 - E1C1609**  
**E1C1810 - E1C1811 - E1C1612 - E1C1613 - E1C1614**  
**E1D1807 - E1D1808 - E1D1810 - E1D1811 - E1D1813**  
**E1D1814 - E1E1808 - E1E1810 - E1E1811 - E1E1812**  
**E1E1813 - E1E3106 - E1E3107 - E1E3108 - E1E3109**  
**E1E3110 - E1E3111 - E1E3112 - E1E3113**

### PISTONE – PISTON D. 13

### PISTONE – PISTON D. 15

### PISTONE – PISTON D. 18

KIT Nr.	KIT 309	KIT 310	KIT 311	KIT 318	KIT 319	KIT 312	KIT 313	KIT 314	KIT 315
<b>Posizioni incluse</b> <b>Positions included</b>	2 – 3 – 4 5 – 6 – 13 14 (7) – (15)	8 - 9	31	17 – 18 19 – 21 22	17 – 18 19 – 20 21 – 22 50	17 – 18 19 – 21 22	17 – 18 19 – 20 21 – 22 50	17 – 18 19 – 21 22	17 – 18 19 – 20 21 – 22 50
<b>Nr. Pcs.</b>	3 ÷ 6	6	3	3	1	3	1	3	1

PISTON D. 13	PISTON D. 15	PISTON D. 18
E1E3106 – E1E3107 E1E3108 – E1E3109 E1E3110 – E1E3111 E1E3112 – E1E3113	E1B1807 – E1B1808 - E1B1809 E1B1810 - E1C1808 - E1C1810 E1C1811 - E1D1807 - E1D1808 E1D1810 - E1D1811 - E1D1813 E1D1814 - E1E1808 - E1E1810 E1E1812 - E1E1813 - E1E1811 E1E1814	E1B1611 – E1B1612 E1B1614 – E1C1609 E1C1612 - E1C1613 E1C1614 – E1B1613

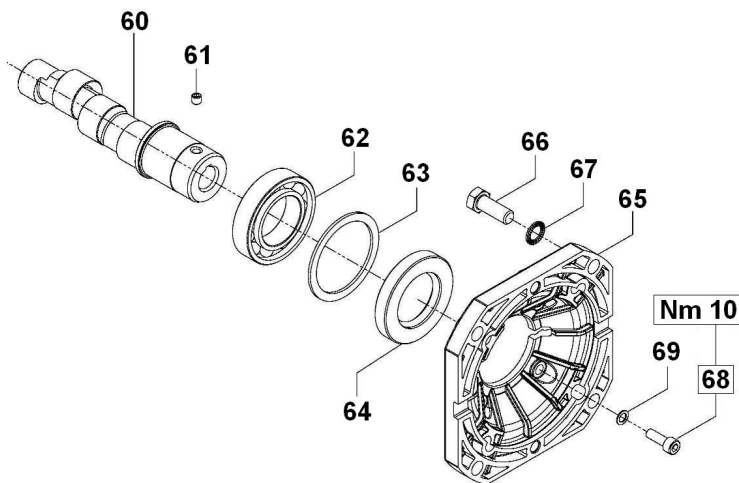
POS	COD.	DESCRIZIONE – DESCRIPTION - KIT	NR
1	53.1206.15	Testata pompa D. 13	1
	53.1200.15	Testata pompa D. 15	
	53.1201.15	Testata pompa D. 18	
2	36.2119.51	Guida valvola d'aspirazione 309	3
3	94.7326.00	Molla Dm. 6x12 309	3
4	36.2112.76	Valvola sferica 309	6
5	36.2113.66	Sede valvola 309	6
6	90.3589.00	OR D. 12.42x1.78 NBR SH. 70 2050 309	6
7	36.7224.01	Gruppo valvola d'aspirazione 309	3
8	90.3593.00	OR D. 15.60x1.78 NBR SH. 70 2062 310	6
9	98.2137.30	Tappo M18x1.5x10 D. 23 310	6
10	99.1690.00	Vite M5x55	3
11	96.6905.00	Rosetta D. 5x11.5x0.4	3
12	63.0406.09	Pistone D. 13x38.5	3
	53.0400.09	Pistone D. 15x38.5	
	63.0405.09	Pistone D. 18x38.5	
13	94.7333.00	Molla Dm. 6.2x10.4 309	3
14	36.2111.51	Guida valvola di mandata 309	3
15	36.7193.01	Gruppo valvola di mandata 309	3
16	99.1990.00	Vite M6x60 5931 8.8	8

POS	COD.	DESCRIZIONE – DESCRIPTION - KIT	NR
17	44.1002.51	Anello di testa D. 13 318-319	3
	63.1010.51	Anello di testa D. 15 312-313	
	63.1011.51	Anello di testa D. 18 314-315	
18	90.2602.00	An. ten.alt. D.13x21x4 HP 318-319	3
	90.2611.00	An. ten.alt. D.15x24x5.4/3.4 HP 312-313	
	90.2653.50	An. ten.alt. D.18x28x6/3.7 HP 314-315	
19	90.5076.50	Anello antiest. D. 13x21x3 318-319	3
	90.5089.90	Anello antiest. D. 15x24x2 312-313	
	90.5111.50	Anello antiest. D. 18x28x2 314-315	
20	53.2104.70	Supporto guarnizione D. 13 319	3
	53.2101.70	Supporto guarnizione D. 15 313	
	53.2102.70	Supporto guarnizione D. 18 315	
21	90.3604.00	OR D. 25.12x1.78 NBR SH. 70 2100 312-313-314-315-318-319	3
22	90.2601.00	An. ten. alt. D. 13x20x5 LP 318-319	3
	90.2608.00	An. ten. alt. D. 15x22x5 LP 312-313	
	90.2650.00	An. ten. alt. D. 18x24x5 LP 314-315	
23	96.7380.00	Rosetta D. 17.5x23x1.5	1
24	98.2100.50	Tappo G 3/8"x13 TE22 – Zinc.	1
25	96.7514.00	Rosetta D. 21.5.27.1.5	1
26	98.2187.00	Tappo G 1/2"x10 TE27 – Zinc.	1
27	96.6990.00	Rosetta D. 7.5x23x0.5	3
28	53.2103.82	Guarnizione spugna D. 3x85	1
29	53.0100.22	Carter pompa	1
30	58.2104.51	Protezione	1
31	90.1593.00	Anello rad. D. 18x24x4 311	3
32	53.0500.66	Guida pistone	3
33	97.7338.00	Spinotto D. 10x26.5	3
34	53.0300.22	Biella	3

POS	COD.	DESCRIZIONE – DESCRIPTION - KIT	NR
35	50.1500.74	Coperchio carter	1
36	99.1837.00	Vite M6x14 5931 8.8	8
37	44.2118.01	Distanziale con indicatore	1
38	90.0635.00	Anello seeger D. 25	2
39	60.0202.65	Alb. C. 5 – E1D1807-E1E1808-E1E3106	1
	60.0204.65	Alb. C. 6 – E1D1808-E1E1810-E1E3107	
	60.0207.65	Alb. C. 7.2 – E1C1609-E1D1810E1E1812 E1E3108	
	60.0209.65	Alb. C. 8 – E1E1813-E1E3109 E1E1814	
	60.0285.35	Alb. C. 9 – E1D1813-E1E3110	
	60.0212.35	Alb. C. 9.4 – E1B1807-E1C1808-E1C1612	
60.0217.35	Alb. C. 11.5 – E1B1808-E1C1810-E1E3113	1	
60.0283.35	Alb. C. 10 – E1B1611-E1C1613-E1D1814 E1E3111		
60.0284.35	Alb. C. 11 – E1B1612-E1C1614-E1E3112	1	
53.0200.35	Alb. C. 13 – E1B1614-E1B1810		
53.0201.35	Alb. C. 12 – E1B1809-E1C1811		
40	91.8328.00	Cuscinetto a sfere 6305 – D. 15-18	2
	91.8331.00	Cuscinetto a sfere 6305 – D. 13	
41	90.4097.00	OR D. 55.56x3.53 NBR SH. 70 159	1
42	90.1641.00	Anello rad. D. 25x62x10	1
43	91.4892.00	Linguetta 8x7x35	1
44	98.2108.00	Tappo con asta G 3/8"x45	1
45	90.3917.00	OR D. 88.57x2.62 NBR SH.70 3350	1
46	53.1600.22	Coperchio posteriore	1
47	98.2042.50	Tappo G 1/4"x9 TE17 – Zinc.	1
48	90.3585.00	OR D. 10.82.1.78 NBR SH. 70 2043	1
49	98.1968.00	Tappo G 1/8"x8	1
50	53.2105.70	Anello per tenuta D. 13 319	3
	53.2106.70	Anello per tenuta D. 15 313	
	53.2107.70	Anello per tenuta D. 18 315	

## VERSION A (for electric motors NEMA 184 TC)

**E1C1808 – E1C1609 – E1C1612 – E1E1808  
E1E1811 – E1E1812**



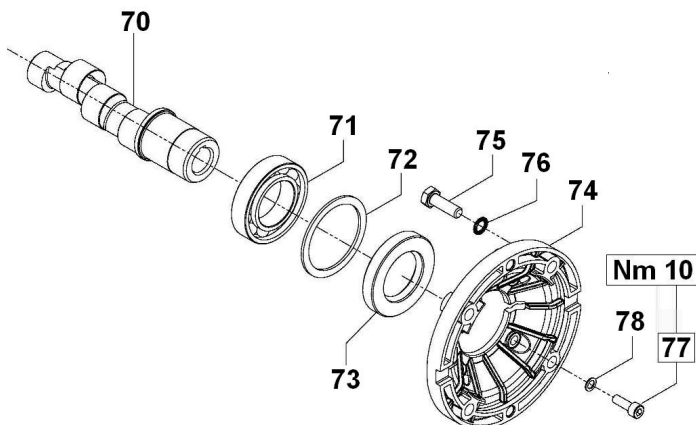
DIS. COD. 53.9501.00

POS	COD.	DESCRIZIONE - DESCRIPTION	NR
60	60.0224.65 60.0227.65 60.0229.65 60.0234.65	Albero C.5 - E1E1808 Albero C.6.5 - E1E1811 Albero C.7.2 - E1C1609-E1E1812 Albero C.9.4 - E1C1808-E1C1612	1
61	99.1790.00	Vite M6x6 5929	1
62	91.8464.00	Cuscinetto a sfere 6007	1
63	60.2101.89	Rondella distanziale	1
64	90.1675.00	Anello rad. D. 35x62x10	1
65	10.0344.22	Flangia per motore elettrico	1
66	99.3345.00	Vite 3/8" – 16x1"	4
67	96.7104.00	Rosetta D. 10.5x16x1	4
68	99.1867.00	Vite M6x18 5931 8.8	4
69	96.6938.00	Rosetta D. 6.4x10x0.7	4

**SERIE 53**

## VERSION B (for electric motors IEC 100-112 B14)

**E1B1807 – E1B1808 – E1B1610 – E1B1613  
E1D1808 – E1D1810 – E1D1811 – E1D1813**



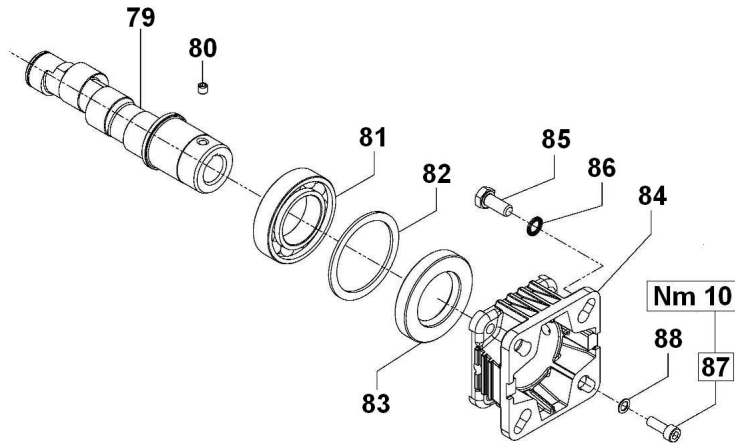
DIS. COD. 53.9502.00

POS	COD.	DESCRIZIONE - DESCRIPTION	NR
70	60.0248.65 60.0251.65 60.0253.65 60.0256.65 60.0261.65	Albero C.6 – E1D1808 Albero C.7.2 – E1D1810 Albero C.8 – E1D1811 Albero C.9.4 – E1B1807-E1B1610 E1D1813 Albero C.11.5 – E1B1808-E1B1613	1
71	91.8464.00	Cuscinetto a sfere 6007	1
72	60.2101.89	Rondella distanziale	1
73	90.1675.00	Anello rad. D. 35x62x10	1
74	10.0345.22	Flangia per motore elettrico	1
75	99.3067.00	Vite M8x25 5739 8.8	4
76	96.7014.00	Rosetta D. 8.4x13x0.7	4
77	99.1867.00	Vite M6x18 5931 8.8	4
78	96.6938.00	Rosetta D. 6.4x10x0.7	4

**SERIE 53**

# VERSION C 3/4" (for gasoline engines SAE J 609 type A ext.3)

**E1E1808 – E1E1811 – E1E1812 – E1E1813**



DIS. COD. 53.9503.00

POS	COD.	DESCRIZIONE - DESCRIPTION	NR
79	60.0268.65 60.0271.65 60.0273.65 60.0275.65	Albero C.5 – E1E1808 Albero C.6.5 – E1E1811 Albero C.7.2 – E1E1812 Albero C.8 – E1E1813	1
80	99.1790.00	Vite M6x6 5929	1
81	91.8464.00	Cuscinetto a sfere 6007	1
82	60.2101.89	Rondella distanziale	1
83	90.1675.00	Anello rad. D. 35x62x10	1
84	10.0652.22	Flangia per motore a scoppio	1
85	99.2730.00	Vite 5/16" – 24x3/4"	4
86	96.7014.00	Rosetta D. 8.4x13x0.7	4
87	99.1867.00	Vite M6x18 5931 8.8	4
88	96.6938.00	Rosetta D. 6.4x10x0.7	4

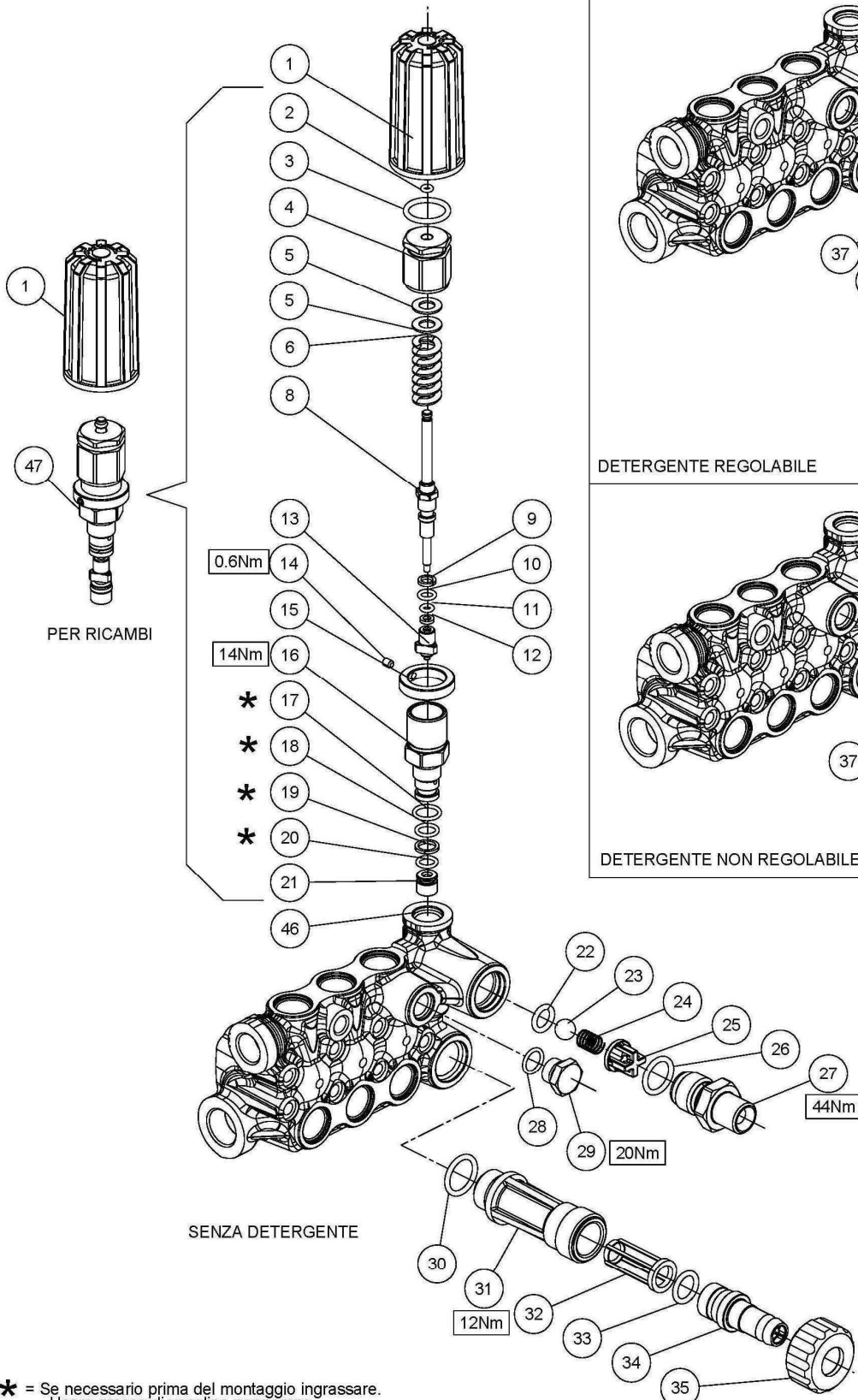
**SERIE 53**

# VH VERSION

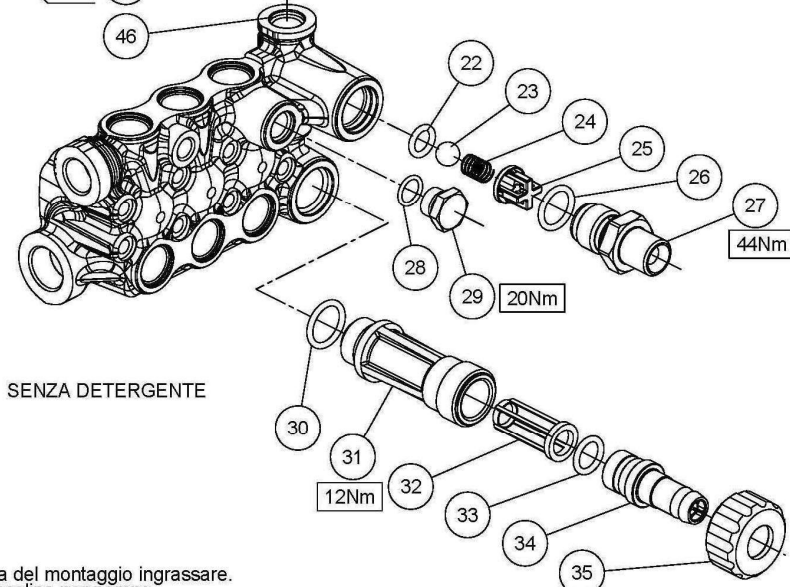
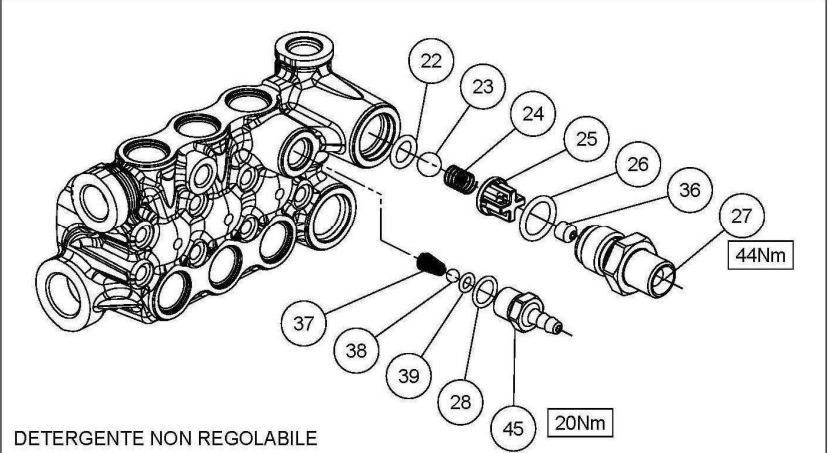
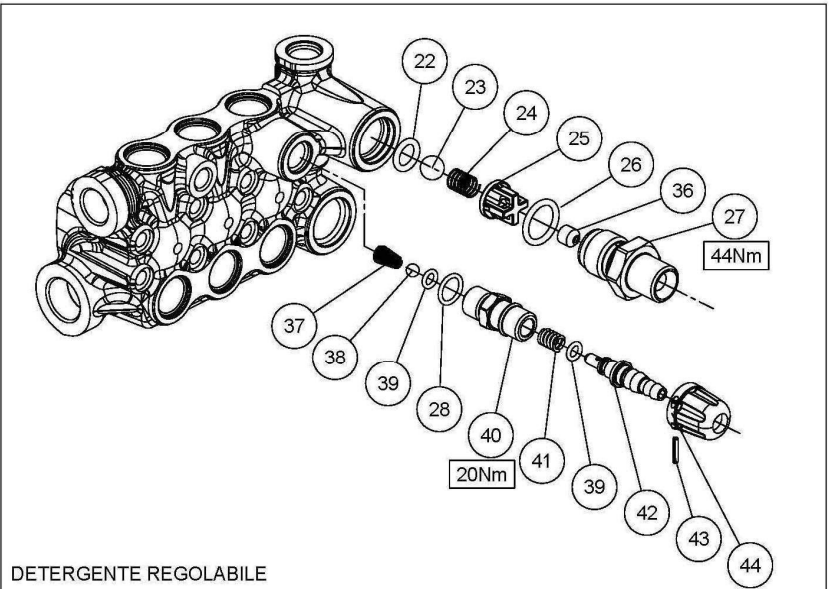
VERSIONE CON VALVOLA DI REGOLAZIONE AUT. – VERSION WITH BUILT-IN AUT. UNLOADER  
 VERSION AVEC RÉGULATEUR AUT. DE PRESSION INCORPORÉ  
 AUSFÜHRUNG MIT EINGEAUTEM AUT. DRUCKREGULIERVENTIL

VERSIÓN CON REGULADOR AUT. DE PRESIÓN INCORPORADO - VERSÃO COM VÁLVULA DO REGULAMENTO AUT.

## SERIE 53



## OPTIONALS



\* = Se necessario prima del montaggio ingrassare.  
 - Usare grasso di vaselina per pompe -

DIS. COD. 36.9563.00

# VH VERSION

**VERSIONE CON VALVOLA DI REGOLAZIONE AUT. – VERSION WITH BUILT-IN AUT. UNLOADER  
VERSION AVEC RÉGULATEUR AUT. DE PRESSION INCORPORÉ  
AUSFÜHRUNG MIT EINGEBAUTEM AUT. DRUCKREGULIERVENTIL  
VERSIÓN CON REGULADOR AUT. DE PRESIÓN INCORPORADO - VERSÃO COM VÁLVULA DO REGULAMENTO AUT.**

POS	COD.	DESCRIZIONE – DESCRIPTION - KIT	NR
1	36.3485.51	Pomolo di regolazione	1
2	90.3566.00	OR D. 2.90x1.78 NBR SH. 70 2012	1
3	90.3845.00	OR D. 18.72x2.62 NBR SH. 70 3075	1
4	36.3481.70	Registro di pressione	1
5	36.3486.51	Rondella di scorrimento	2
6	94.7395.00	Molla Dm. 11.3x34.5	1
8	N.A.	Pistoncino di comando	1
9	N.A.	Anello antiest. D. 6.1x9x1.5	1
10	N.A.	OR D. 6.07x1.78 NBR SH. 70 2025	1
11	N.A.	OR D. 3.69x1.78 NBR SH. 70 2015	1
12	N.A.	Anello antiest. D. 4x7x1.5	1
13	N.A.	Otturatore	1
14	99.1267.00	Vite M4x5 UNI 5929	1
15	36.3477.70	Ghiera di pressione massima	1
16	N.A.	Boccola di guida	1
17	90.3587.00	OR D. 11.11x1.78 NBR SH. 70 114	1
18	90.3581.00	OR D. 8.73x1.78 NBR SH. 70 108	1
19	90.5038.00	Anello antiest. D. 9x12x1.5	1
20	90.3578.00	OR D. 7.66x1.78 NBR SH. 70 2031	1
21	36.3483.66	Sede	1
22	90.3823.00	OR D. 9.92x2.62 NBR SH. 70 112	278 1
23	97.4838.00	Sfera D. 13/32"	278 1
24	94.7355.00	Molla Dm. 8.5x12	278 1
25	36.3104.51	Guida valvola	278 1
26	90.3839.00	OR D. 15.88x2.62 NBR SH. 70 121	278 1
27	36.3479.70 36.3490.70 36.3489.70 36.3488.70 36.3487.70	Nipplo G 3/8" – M – D. 3 Nipplo 3/8" NPT – F – D. 3 Nipplo G 3/8" – F – D. 3 Nipplo M22x1.5 – D. 3 Nipplo 3/8" NPT – M – D. 3	1
28	90.3585.00	OR D. 10.82x1.78 NBR SH. 70 2043 279-280	1
29	98.2041.00	Tappo G 1/4"x9	1

POS	COD.	DESCRIZIONE – DESCRIPTION - KIT	NR
36	10.0795.66	Ugello per iniettore D. 2	1
37	94.8217.00	Molla conica D. 4.3/7.3x11	279-280 1
38	97.4782.00	Sfera D. 7/32"	279-280 1
39	90.3573.00	OR D. 5.28x1.78 NBR SH. 70 2021 279-280	2
40	36.3482.70	Sede valvola detergente	279 1
41	94.7334.00	Molla Dm. 6.4x12.5	279 1
42	36.3342.70	Otturatore con portagomma	279 1
43	97.6615.00	Spina elastica D. 2x12 UNI 6873	279 1
44	36.3484.51	Pomolo detergente rosso	279 1
45	36.3492.70	Portagomma	280 1
46	53.1202.15 53.1203.15 53.1204.15 53.1205.15	Testata pompa con valv. int. DX D. 15 Testata pompa con valv. int. DX D. 18 Testata pompa con valv. int. SX D. 15 Testata pompa con valv. int. SX D. 18	1
47	36.6054.01	Frutto valvola con sede	278 1
<b>OPTIONALS</b>			
30	90.3841.00	OR D. 17.13x2.62 NBR SH. 70 3068	1
31	36.3182.51	Nipplo aspirazione G 3/4"	1
32	92.8925.00	Filtro D. 12x35	1
33	90.3828.00	OR D. 12.37x2.62 NBR SH. 70 3050	1
34	36.2569.51	Portagomma aspirazione	1
35	92.9828.00	Ghiera G 3/4" – Di. 15	1

**N.A. : NOT AVAILABLE – PARTICOLARE NON FORNITO**

## KIT RICAMBI – SPARE KITS

KIT NR.	KIT 278	KIT 279	KIT 280
<b>Posizioni include Positions included</b>	<b>22 – 23 24 – 25 26 – 47</b>	<b>28 – 37 38 – 39 40 – 41 42 – 43 44</b>	<b>28 – 37 38 – 39 45</b>
<b>Nr. Pcs.</b>	<b>1</b>	<b>1</b>	<b>1</b>